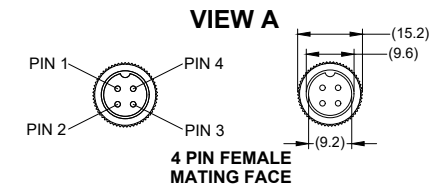
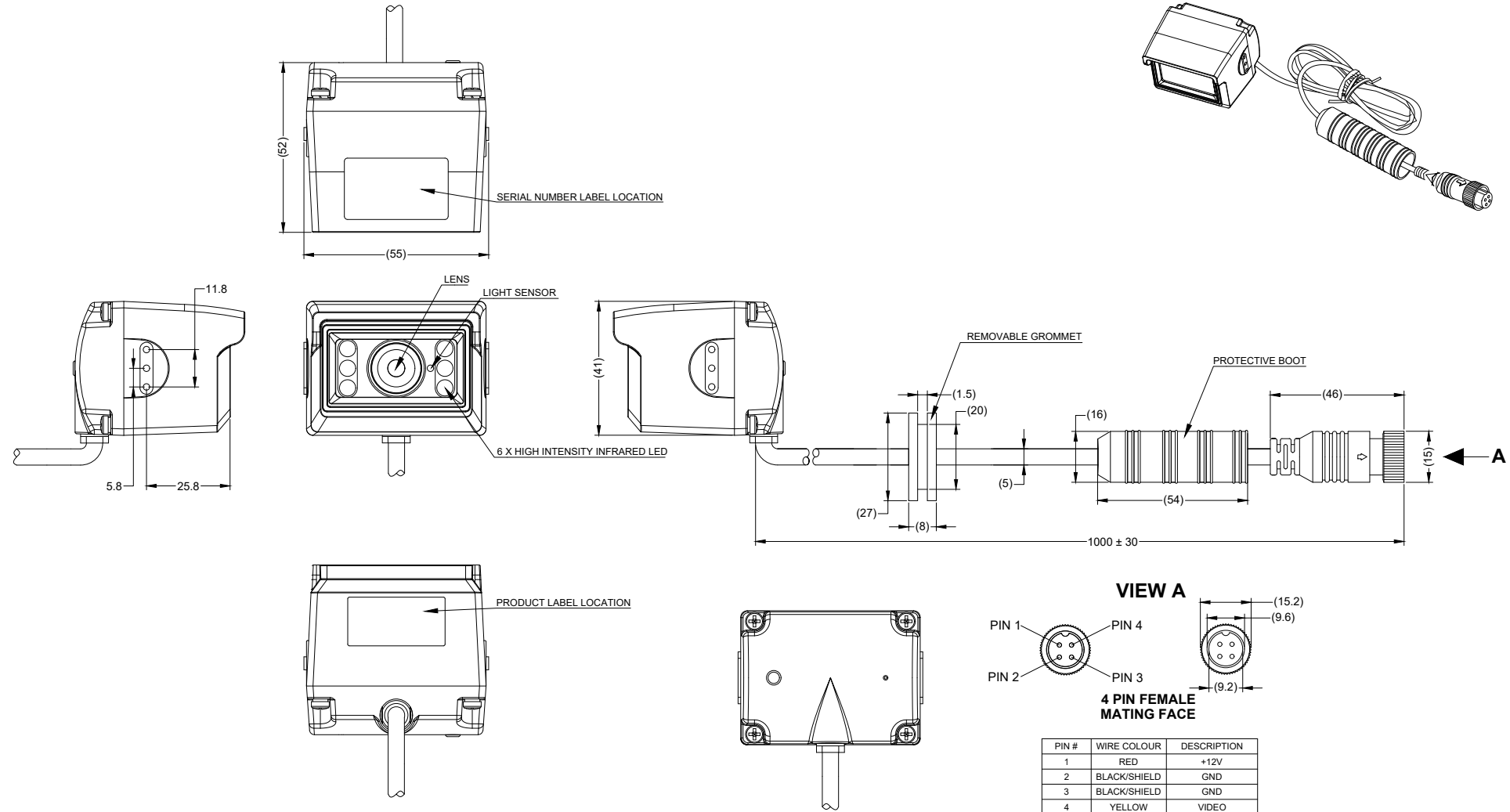


PART NO.	MODEL NO.	DESCRIPTION
3895B	VBV-620C-C	CMS Select, Colour Ultra-Low-Light CMOS PAL Camera
3919B	VBV-621C-C	CMS Select, Colour Ultra-Low-Light CMOS NTSC Camera

Revision Notes				
R1 -				
APA: -	Drawn:-	Checked:-	Approved:-	Date: -



PIN #	WIRE COLOUR	DESCRIPTION
1	RED	+12V
2	BLACK/SHIELD	GND
3	BLACK/SHIELD	GND
4	YELLOW	VIDEO

NOTES:
 1. FINISH IS BLACK.
 2. FOR PRODUCT LABEL AND PACKAGING DETAILS REFER TO MASTER BOM

PROPRIETARY NOTICE
 THIS DESIGN AND TECHNICAL INFORMATION APPEARING ON THIS DRAWING IS THE PROPERTY OF BRIGADE ELECTRONICS, AND IS DISCLOSED IN CONFIDENCE. IT IS NOT TO BE COPIED, REPRODUCED, REVEALED TO OR EXPROPRIATED BY OTHERS, EITHER IN WHOLE OR IN PART WITHOUT THE EXPRESS WRITTEN CONSENT OF BRIGADE ELECTRONICS.



Assembly Pl Approval Y.ZHANG 21/09/17	Approved by B.JOHN	Checked by M.BUTLER	Released 11/10/17	Drawn by S.LAVER	Assembly Ref -
Angle of Projection Third Angle	Units mm	Scale N/A	Status RELEASED	VBV-62XC-C	
Part No SEE TABLE			BE-003614-00-17		